



AMBER BEER

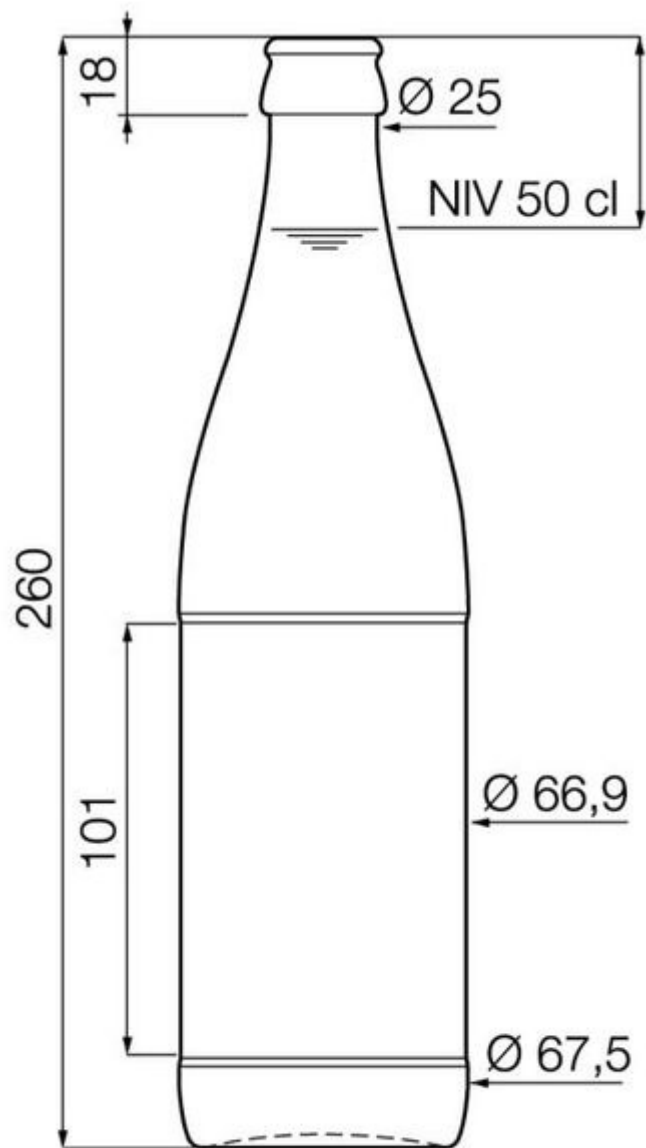
A1016062

## 50CL NRW-BIER

AVAILABLE COLORS



Amber beer



BOTTLE 18

### TECHNICAL SPECIFICATIONS

Product code	016062
Capacity	50.0 cl
Brimfull capacity	52.0 cl
Height	260.0 mm
Diameter	67.5 mm
Shape	Round
Finish	Crown Cork
Label protection	No
Refillable	Yes
Weight	380 g
Country	Germany

### PACKAGING SPECIFICATIONS

Containers per pallet	2023
Layers per pallet	7
Pallet width	1000 mm
Pallet depth	1200 mm
Pallet height	1978 mm
Gross weight of pallet	813.00 kg

**i** Other packaging specs are available upon request.