

# TECHNICAL SPECIFICATIONS

Doc. Nr.: VBLMI38L REV 03 ING  
04.01.24

## WIREHOOD

Revision: 03

Pag.1/1

### FINISHED PRODUCT

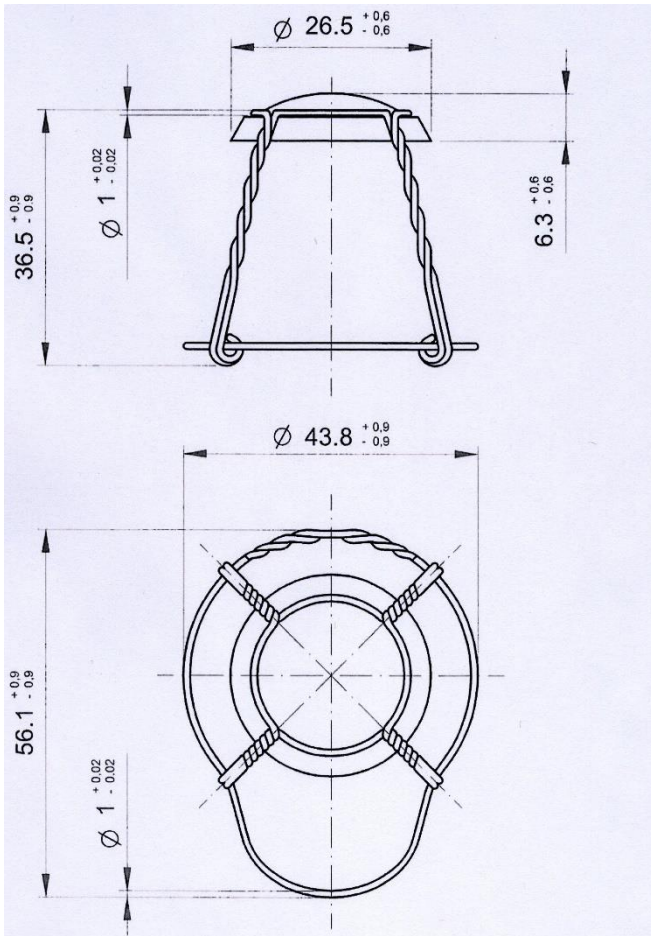
### RAW MATERIAL

#### CUSTOMER:

Product code: 2301263807

Customer Product code:

#### DIMENSIONAL CHARACTERISTICS



BELT DEVELOPED LENGTH 155 +/- 1 mm.

#### WIREHOOD MINI

#### FOOD SAFETY

Produced in accordance with GMP (Good Manufacturing Practices);

MATERIAL CODE FOR DISPOSAL: FE 40

#### Body and belt wire:

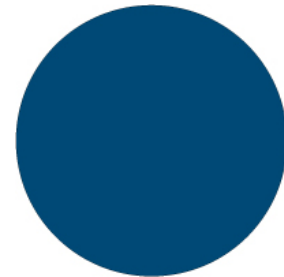
• **MATERIAL AND APPLICATION FIELD:**  
Galvanized mild steel wire for the production of wirehoods

- **PURITY:** Minimum 99.5% of pure zinc
- **ZINC COATING:** Min. 35g/m<sup>2</sup>
- **DIAMETER:** 1.00 mm ± 0.02
- **BREAKING POINT:** 320-450 N/mm<sup>2</sup> (determined according to ISO 6892-1)
- **ELONGATION:** minimum 23 % (length of sample: 150 mm/ determined according to ISO 6892-1)
- **TWISTS ON DOUBLE WIRE:** minimum 55 (length of sample: 210 mm)

#### Disc:

- **MATERIAL:** Electrolytic tin-plated metal sheet
- **QUANTITY OF NOMINAL TIN:** 2,8 gr/m<sup>2</sup>(min. 2,3 gr/m<sup>2</sup>) on both surfaces
- **HARDNESS OF THE MATERIAL:** scale TS260-TS275
- **THICKNESS:** 0.225 mm ± 0.01
- **TYPE OF PRINT:** Offset or digital.

Diameter :30,5 mm



The colors you see are purely indicative

### PACKAGING

SPI 44