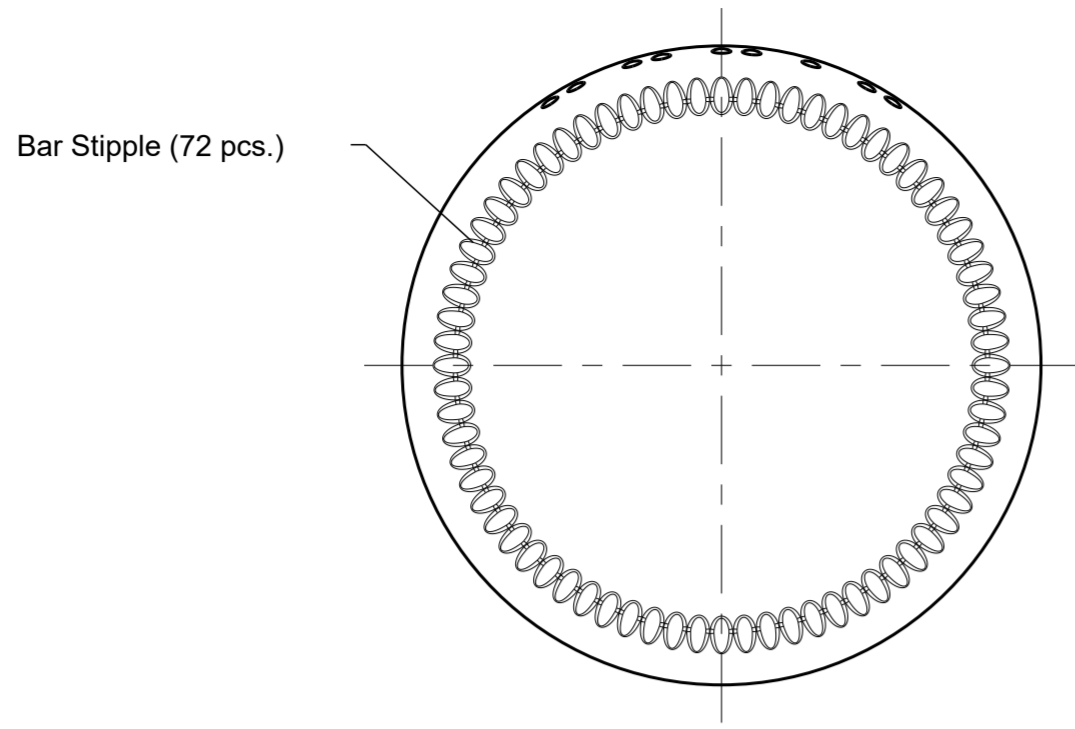


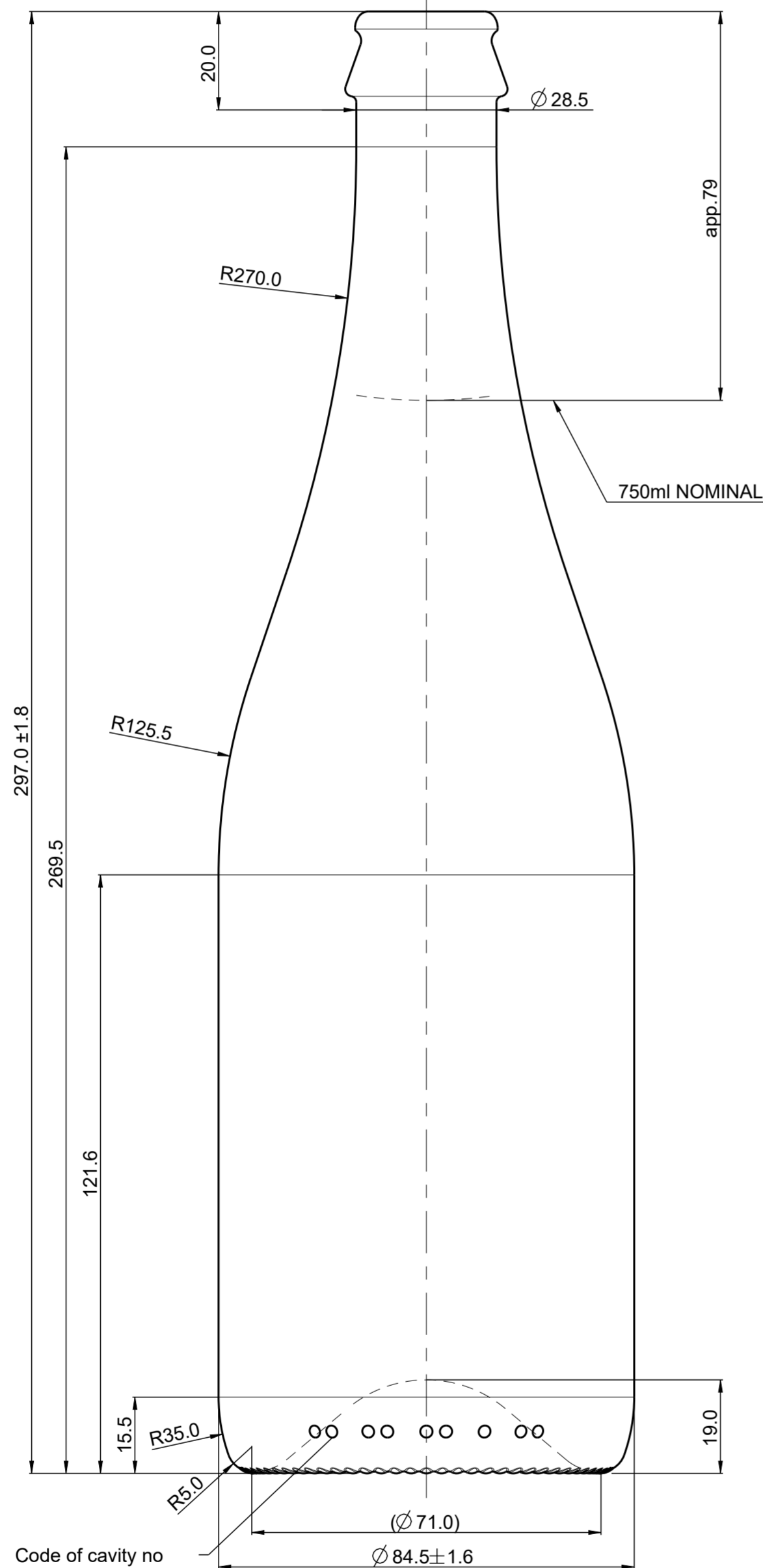
COLOUR	SAP SPEAKING NO	SAP MATERIAL NO
Standard amber	20-15198 -0	31005198
Standard green	10-15198 -0	31005199
Masson green	17-15198 -0	31005230

Bottom view

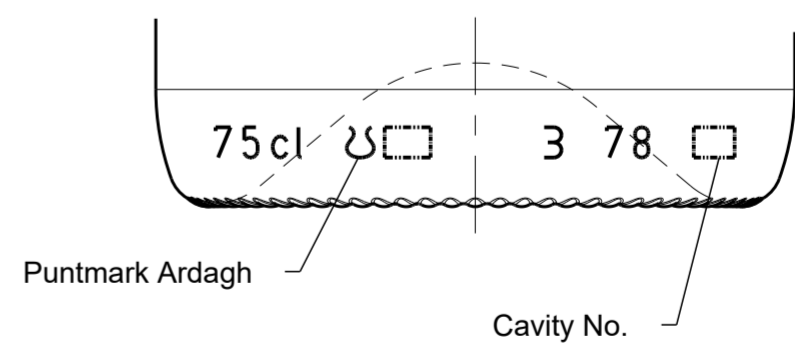


Front view


DIN 6094-5:2000-01



Back view  
developed view of description



0.4 STIPPLE HEIGHT IS INCLUDED IN ALL DIMENSIONS FROM THE BASE

NOMINAL CAPACITY	750.0 ml	<p>SPECIFICATION AGREEMENTS ARE BASED ON TOLERANCED DIMENSIONS ONLY DO NOT SCALE DRAWING COPYRIGHT RESERVED, NOT TO BE COPIED IN WHOLE OR PART WITHOUT WRITTEN PERMISSION FROM ARDAGH GLASS LTD. ALL DIMENSIONS ARE IN MILLIMETERS Document supervised by SAP, cProject and Windchill PDM/Link systems)</p>	<p>Product &amp; Mould Design Glass - Europe</p>	<p>ArdaghGroup </p>			
BRIMFUL CAPACITY	780.0 ml ± 10.0 ml						
VACUITY	30.0 ml (4.0 %)						
FINISH DESCRIPTION	Crown Cork Sparkling Wine- Form L			DESIGNER	MartaR	SHEET	1 / 1
FINISH NUMBER	AF04601 / DIN 6094-5:2000-01			DATE	30.04.2019	SCALE	1:1 (A2)
MINIMUM THROUGH BORE	17.1 mm			CUSTOMER	Verreries Du Brabant S.A.	PROJECT	20849
WEIGHT NOMINAL	~650 g			PRODUCT NAME			
USAGE	RETURNABLE			BIERFLASCHE_750_CXX_28CC			
CARBONATION	max. 9.0 g CO <sub>2</sub> / l	B Add SAP-Materialnumber	LingemannS	-	31.07.2019	OLD NUMBER	
TILT ANGLE	19.6°	A First drawing / increase heel to add marking	MartaR	-	30.04.2019	DRAWING NO.	PRODUCT CODE
		REVISION	DSG	CHK	DATE	D22074 B	15198 -0