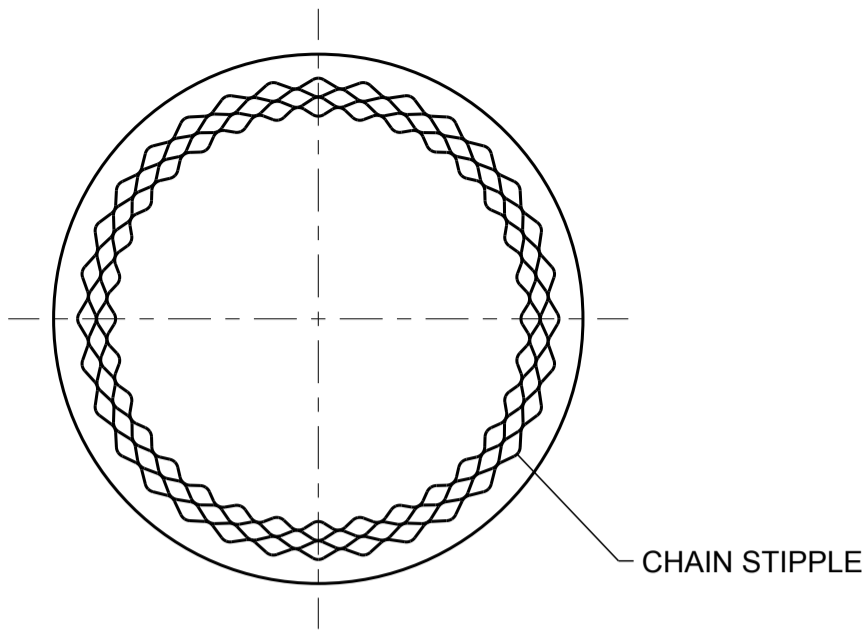


Bottom view



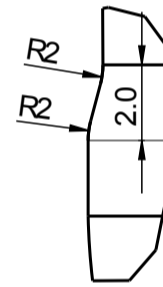
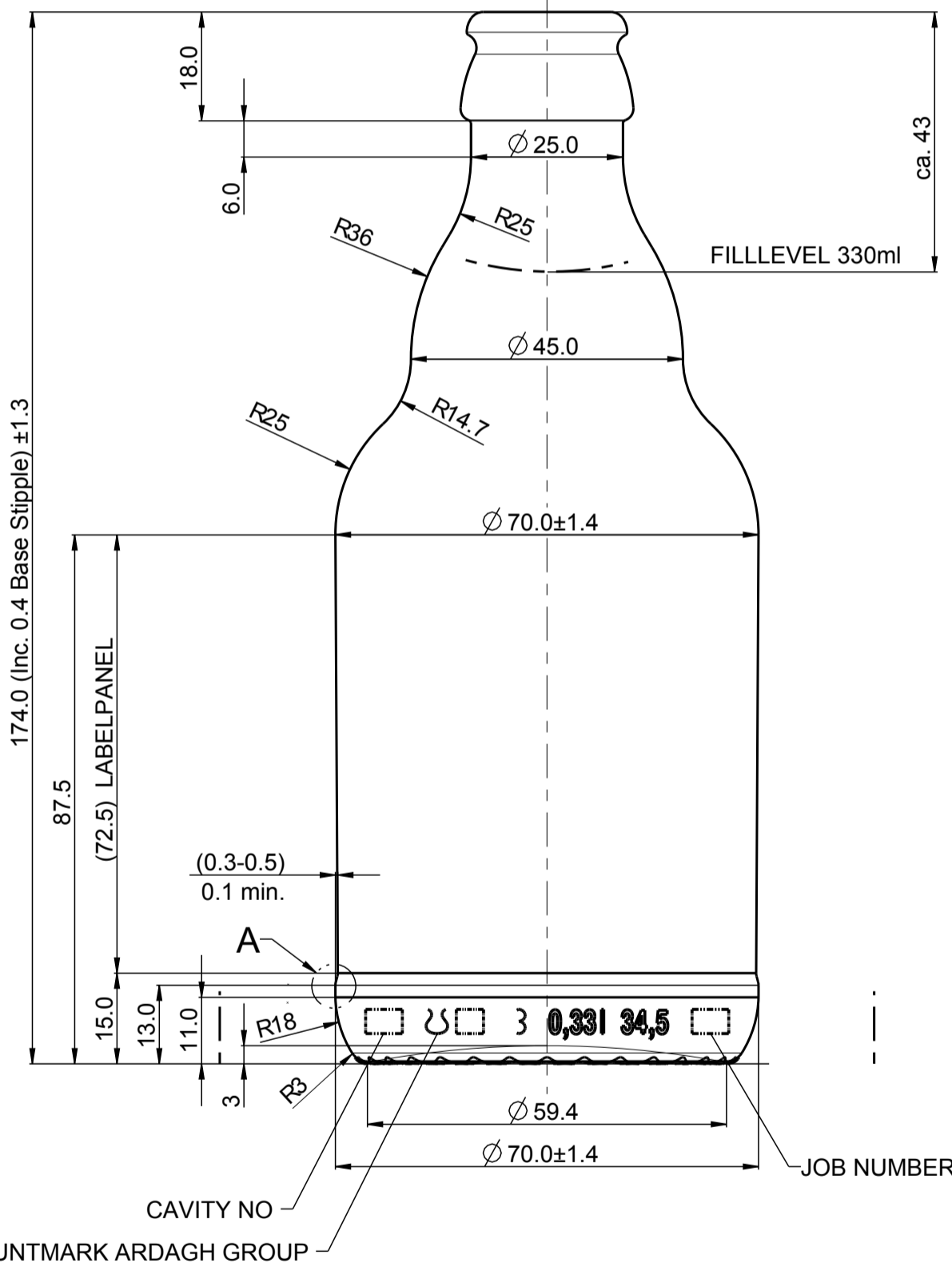
3D view



1:2

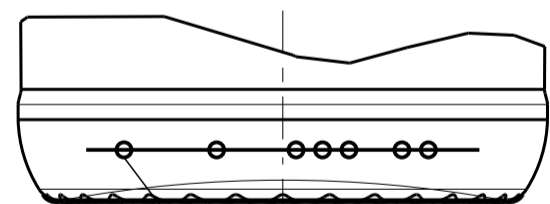
Front view

FINISH KK A 26 SPECIAL



A
5:1

Back view
Developed view of description



CODE OF CAVITY NO

NOMINAL CAPACITY	330.0 ml	SPECIFICATION AGREEMENTS ARE BASED ON TOLERANCED DIMENSIONS ONLY DO NOT SCALE DRAWING COPYRIGHT RESERVED. NOT TO BE COPIED IN WHOLE OR PART WITHOUT WRITTEN PERMISSION FROM ARDAGH GLASS LTD. ALL DIMENSIONS ARE IN MILLIMETERS Document supervised by SAP, cProject and Windchill PDMLink systems)		
BRIMFULL CAPACITY	345.0 ml ± 7.0 ml			
VACUITY	15.0 ml (4.35 %)			
FINISH DESCRIPTION / No.	KK A 26 / M-74-30-01-a			
MINIMUM THROUGH BORE				
WEIGHT NOMINAL	255 g			
GLASS COLOUR	BROWN			
USAGE	RETURNABLE			
CARBONATION	18.0 bar			
TILT ANGLE	25.2°			
		INITIAL DATA DATE 03.02.2011 CUSTOMER PRODUCT NAME Steinie-Bierfl_18BAR_330_C20_26C2 DRAWING No. 10376 PRODUCT No.	DESIGNER MartaR CHECKED PROJECT 54370 REVISION A SAP CONTAINER No. 31000396	SHEET 1 / 1 SCALE 1:1 (A3)
A REPLACED BY 30000740 (CHAIN STIPPLE) REVISION		MartaR DSG	03.02.2011 DATE	