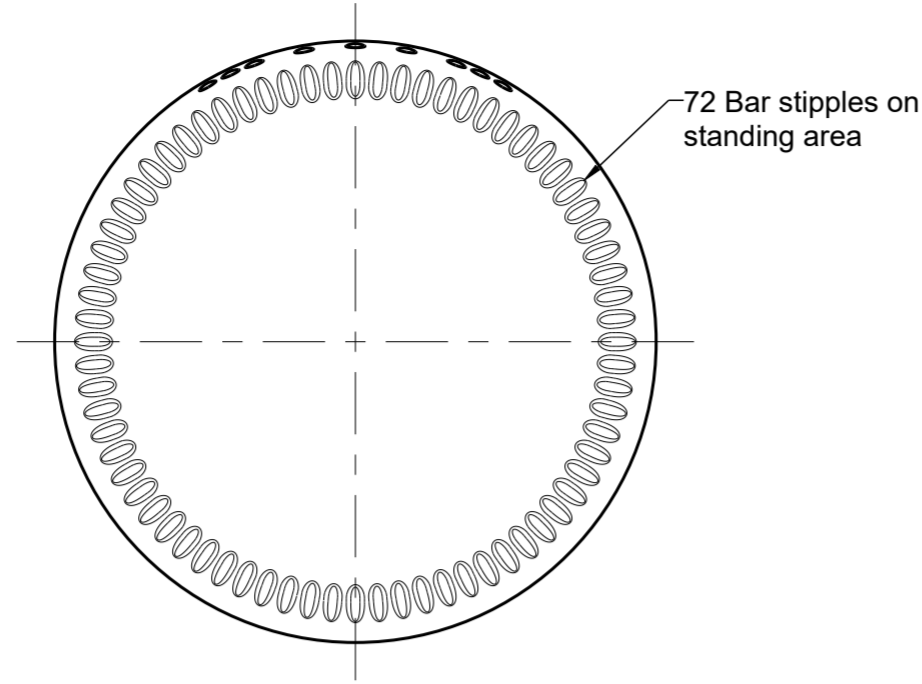


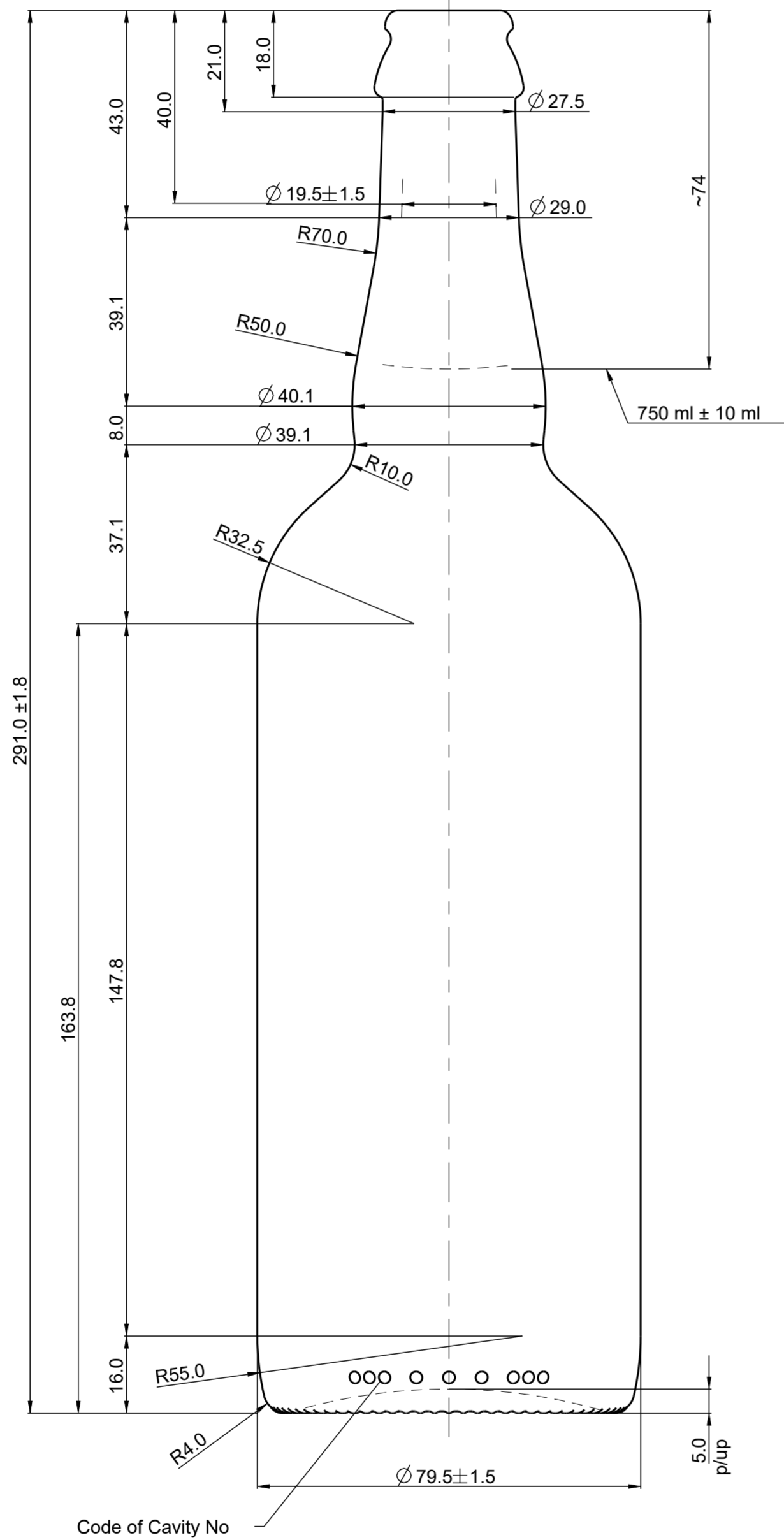


COLOUR	SAP SPEAKING NO	SAP MATERIAL NO
STANDARD AMBER	20-15674 -2	31005974

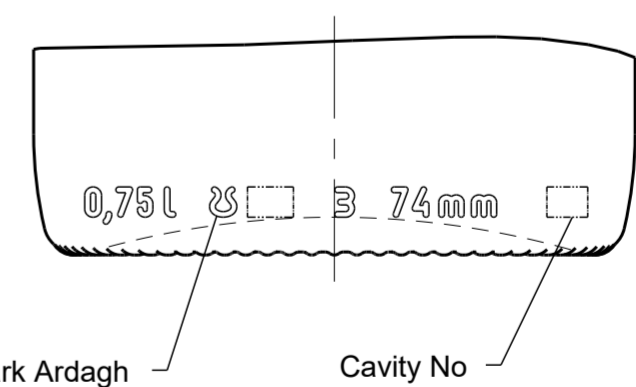
Bottom view



Front view



Back view
Developed view of description



Puntmark Ardagh

Cavity No

0.4 STIPPLE HEIGHT IS INCLUDED IN ALL DIMENSIONS FROM THE BASE

NOMINAL CAPACITY	750.0 ± 10.0 ml	SPECIFICATION AGREEMENTS ARE BASED ON TOLERANCED DIMENSIONS ONLY DO NOT SCALE DRAWING COPYRIGHT RESERVED, NOT TO BE COPIED IN WHOLE OR PART WITHOUT WRITTEN PERMISSION FROM ARDAGH GLASS LTD. ALL DIMENSIONS ARE IN MILLIMETERS Document supervised by SAP, cProject and Windchill PDMLink systems	OEG Design Product Design Ardagh Glass	ArdaghGlassPackaging		
BRIMFUL CAPACITY	780.0 ml					
VACUITY	30.0 ml (4.0 %)					
FINISH DESCRIPTION	26H 180 Crown Cork Special					
FINISH NUMBER	AF00403					
FINISH NORM	-					
MINIMUM THROUGH BORE	16.0 mm					
WEIGHT NOMINAL	545 g					
USAGE	RETURNABLE					
CARBONATION	max. 9.0 g CO ₂ / l					
TILT ANGLE	18.3°					
		D Container number added.	BarkerC	21.07.2022	SAP MATERIAL NAME	STD BELGIEN-BIERFL_750_C20_26CC
		C Min through bore control updated, was 16.5mm	BarkerC	12.07.2022	SAP MATERIAL NAME	STD BELGIEN-BIERFL_750_C20_26CC
		B Bottle height increased 1mm to run with same moulds as 31005674, finish change	BarkerC	06.07.2022	OLD NUMBER	
		A First drawing - 31005674 with AF00403	BarkerC	16.05.2022	DRAWING NO.	D24996 D
		REVISION	DSG	DATE	PRODUCT CODE	15674 -2